

**MITSUBISHI ELECTRIC**  
MITSUBISHI HOME THEATER PROJECTOR

ILLUMINATION.  
DEFINITION.  
DIAMOND.

**Specifications**

Model		HC6500	
Projection system		Transmissive liquid crystal system	
Panel specs	Panel size	0.74type x3 Aspect ratio 16:9 with micro lens	
	Number of pixels	1920x1080 (total 2,073,600 pixels)	
	Drive system	3 primary color liquid crystal shutter system	
Optical specs	Array	Stripe pattern	
	Zoom / focus operation	1.6-power zoom / motorized	
	Lens shift	Motorized up-down 75% / right-left 5%	
	Throw ratio	1.42-2.26	
	Projection lens	f=23.5-37.6mm / 0.9"-1.5" F1.8-2.3	
	Light source lamp	160W	
	Optical system	Mirror color separation / prism synthesis system	
Projection screen size (inches)	Brightness (lm)	1200	
	Contrast ratio	15000:1 (auto-iris) typ.	
	Resolution	VGA* 640x480 - UXGA* 1600x1200	
Images	Scan frequency	Horizontal (kHz)	15-100kHz
		Vertical (Hz)	24, 50Hz-120Hz
Input signal system	Video	NTSC, NTSC4.43, PAL (including PAL-M and N), SECAM, PAL-60 Video input: 480i/p, 576i/p, 1080i 60/50, 1080p 60/50/24, 720p 60/50	
	PC	PC/AT compatibles, Mac	
Input	Video	PC input	Mini D-Sub 15 pin
		HDMI input	HDMI terminal
		Composites	RCA terminal
		S	S-Video terminal
		Components	RCA terminal
		Serial / RS-232C standard	1 terminal (D-Sub 9 pin)
Output	Trigger terminal	1 terminal	
Functions	Digital keystone	Vertical ±15steps	
	Fan noise	17dBA (at low mode)	
	Power source voltage	AC100V 50/60Hz	
	Power consumption (W)	250 (at stand by 7W)	
	Weight (kg / lbs)	7.5 / 16.5	
Other	Main unit dimensions	WxDxH 427x440x159mm / 16.8"x17.3"x6.3" (excluding height adjustment)	
	Supplied accessories	Power source cord (2.9m), Remote control, AA batteries (x2), RGB signal cable, RS-232C cable, Lens cap, Lamp replacement tray	
Warranty	2-years parts and labor, 1-year or 500 hours on lamp (whichever comes first)		

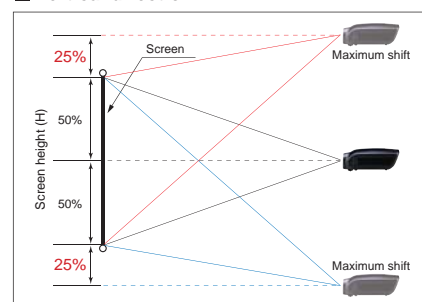
\*: SVGA, XGA, WXGA, SXGA, UXGA are registered trademarks of IBM Corporation of the United States

**Projection distance**

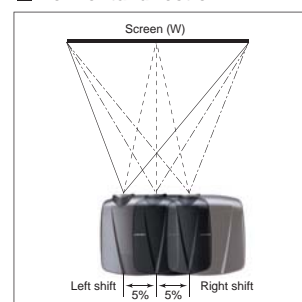
Screen size (16:9)				Projection distance				Up-down lens shift		Right-Left lens shift								
Diagonal	W (width)	H (height)	Max Zoom	Min Zoom	Down	Up	Left	Right	Diagonal	W (width)	H (height)	Black zone	Max Zoom	Min Zoom	Down	Up	Left	Right
50	127	43.7	24.4	59	98	19 ← 0 → 19	2.4 ← 0 → 2.4		50	127	43.7	3.9	55	91	16.9 ← 0 → 16.9	1.9 ← 0 → 1.9		
60	152	52.4	29.5	71	118	22 ← 0 → 22	2.8 ← 0 → 2.8		60	152	52.4	4.3	67	106	20.0 ← 0 → 20.0	2.4 ← 0 → 2.4		
70	178	61.0	34.3	87	138	26 ← 0 → 26	3.1 ← 0 → 3.1		70	178	61.0	5.1	79	126	23.6 ← 0 → 23.6	2.8 ← 0 → 2.8		
80	203	69.7	39.4	98	158	30 ← 0 → 30	3.5 ← 0 → 3.5		80	203	69.7	5.9	91	148	27.2 ← 0 → 27.2	3.1 ← 0 → 3.1		
90	229	78.3	44.1	110	177	33 ← 0 → 33	3.9 ← 0 → 3.9		90	229	78.3	6.7	102	161	30.3 ← 0 → 30.3	3.5 ← 0 → 3.5		
100	254	87.0	49.2	122	197	37 ← 0 → 37	4.3 ← 0 → 4.3		100	254	87.0	7.5	114	181	33.9 ← 0 → 33.9	3.9 ← 0 → 3.9		
110	279	96.1	53.9	134	217	41 ← 0 → 41	4.7 ← 0 → 4.7		110	279	96.1	8.3	122	201	37.0 ← 0 → 37.0	4.3 ← 0 → 4.3		
120	305	104.7	58.7	150	236	44 ← 0 → 44	5.1 ← 0 → 5.1		120	305	104.7	9.1	134	217	40.6 ← 0 → 40.6	4.7 ← 0 → 4.7		
130	330	113.4	63.8	161	256	48 ← 0 → 48	5.5 ← 0 → 5.5		130	330	113.4	9.8	146	236	43.7 ← 0 → 43.7	5.1 ← 0 → 5.1		
140	356	122.0	68.5	173	276	52 ← 0 → 52	5.9 ← 0 → 5.9		140	356	122.0	10.6	158	256	47.2 ← 0 → 47.2	5.5 ← 0 → 5.5		
150	381	130.7	73.6	185	299	55 ← 0 → 55	6.7 ← 0 → 6.7		150	381	130.7	11.4	169	272	50.8 ← 0 → 50.8	5.9 ← 0 → 5.9		
200	508	174.4	96.0	248	398	74 ← 0 → 74	8.7 ← 0 → 8.7		200	508	174.4	14.9	228	366	67.3 ← 0 → 67.3	7.9 ← 0 → 7.9		
250	635	217.7	122.4	311	496	92 ← 0 → 92	11 ← 0 → 11		250	635	217.7	18.9	284	457	84.3 ← 0 → 84.3	9.8 ← 0 → 9.8		
300	762	261.4	147.2	374	598	110 ← 0 → 110	13 ← 0 → 13		300	762	261.4	22.4	343	547	101 ← 0 → 101	12 ← 0 → 12		

\* The above figures are approximate and may be slightly different from the actual measurements.

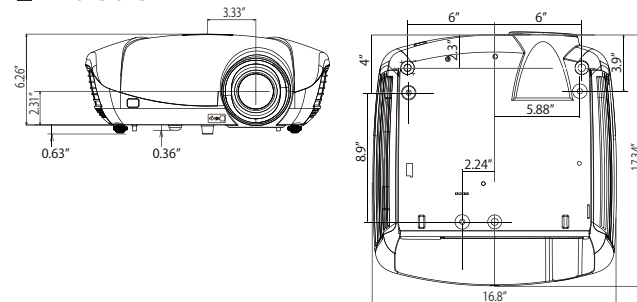
**Vertical direction**



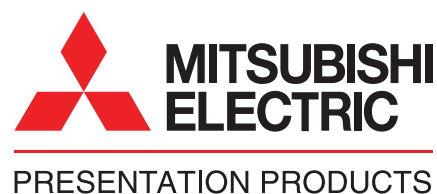
**Horizontal direction**



**Dimensions**



**MITSUBISHI DIGITAL ELECTRONICS AMERICA, INC.**  
Presentation Products Division  
Phone: 888.307.0349  
Email: [ppdinfo@mdea.com](mailto:ppdinfo@mdea.com)  
[www.mitsubishi-presentations.com](http://www.mitsubishi-presentations.com)



**MITSUBISHI ELECTRIC SALES CANADA, INC.**  
Information Technologies Group  
Phone: 905.475.7728  
[www.mitsubishielectric.ca](http://www.mitsubishielectric.ca)

**NEW HC6500**

